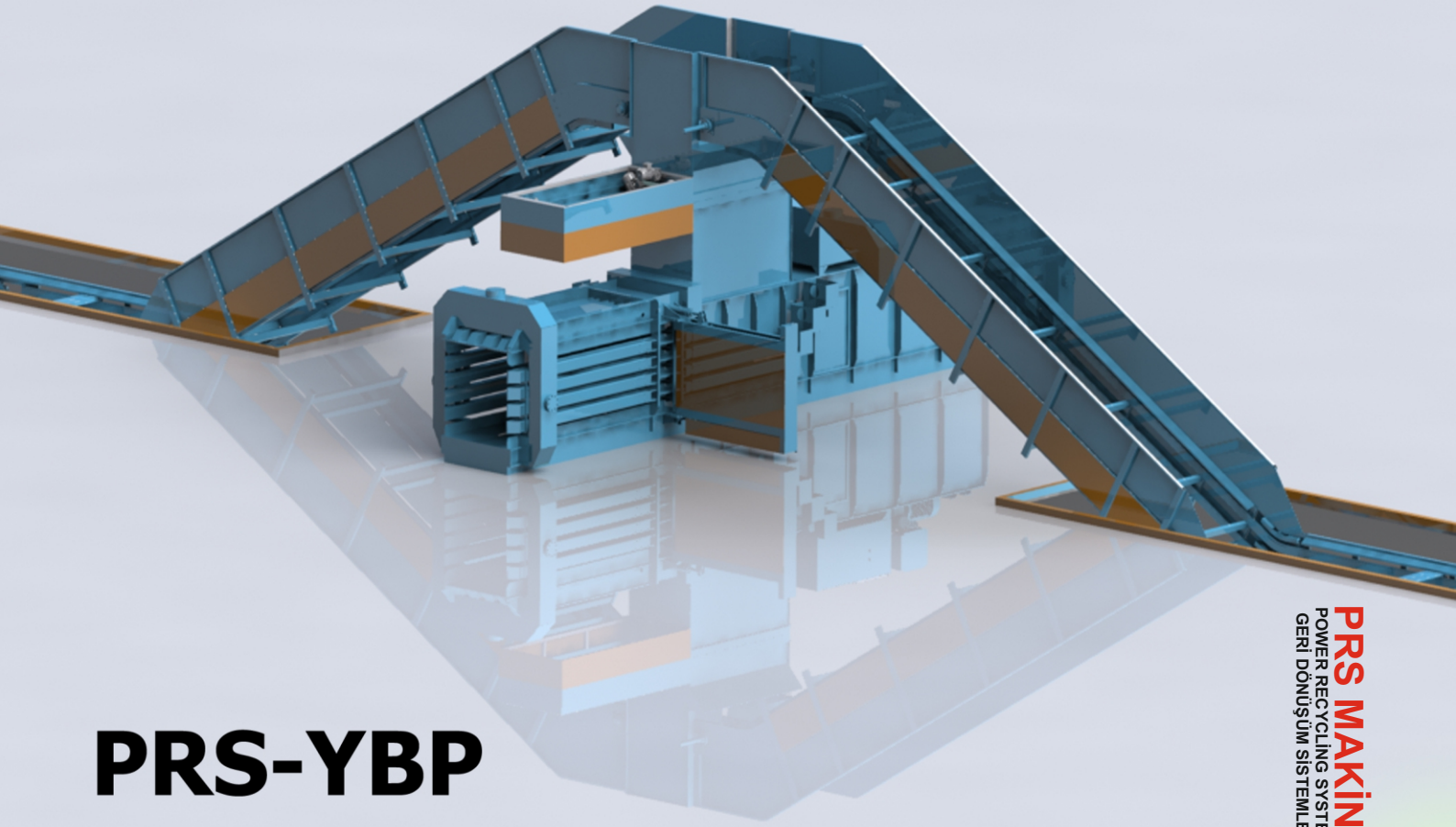


PRs MAKİNA

www.prsmakina .com info@prsmakina .com
Tel: +90 232 264 03 05 Faks: +90 232 782 71 81
İstasyon Cad. No:69 Gölçükler Mah.
Menderes - İZMİR - TÜRKİYE



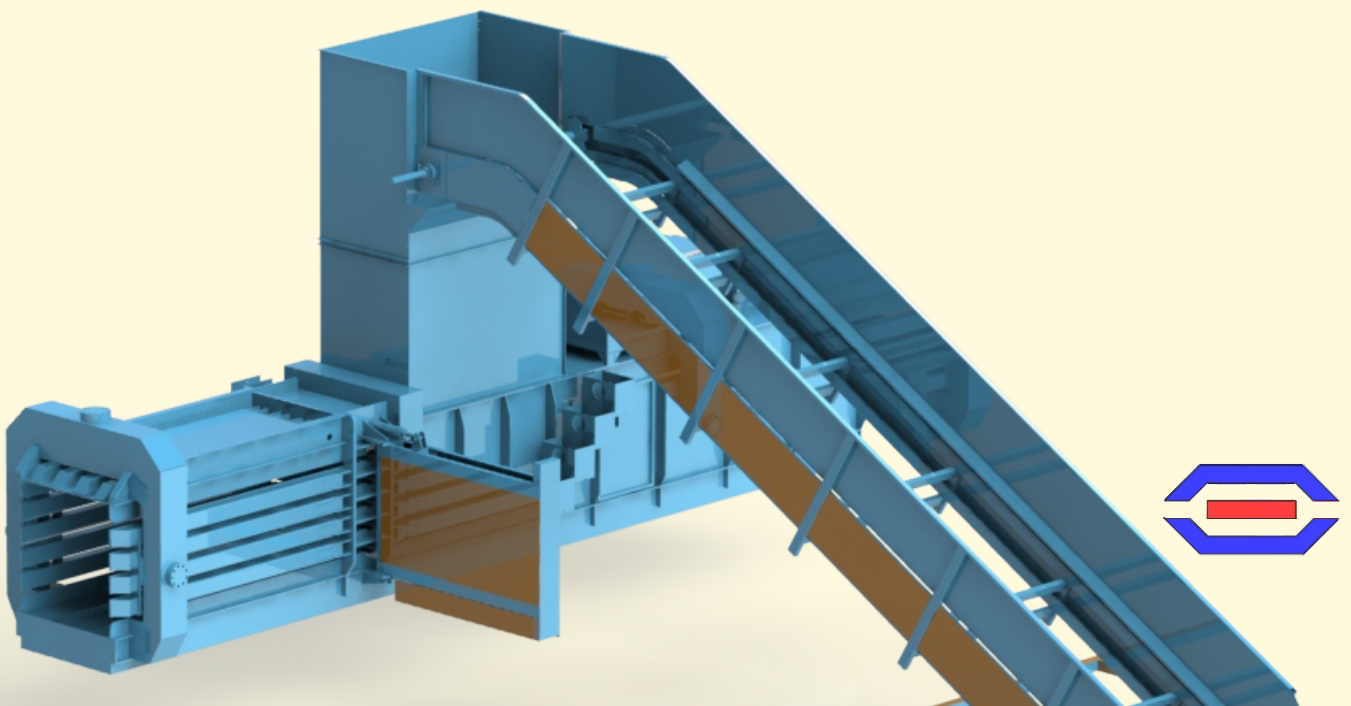
PRs-YBP HORIZONTAL BALING SERIES

PRs MAKİNA®
POWER RECYCLING SYSTEMS
GERİ DÖNÜŞÜM SİSTEMLERİ

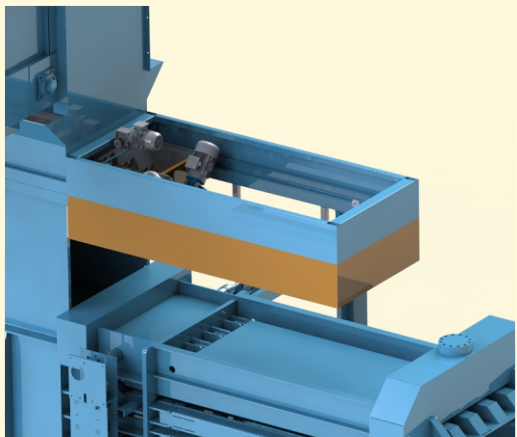


FULL AUTOMATIC HORIZONTAL BALING PRESS

- Paper Baling Press machine, waste paper, cardboard, pet products, nylon, sacks etc. It is used to compress the materials into bales.
- A baler can see its benefits in operation within a few months of installation.
- With our horizontal paper baler machines, waste paper requires less storage space. It is easy and safe to stack. Waste papers are pressed into high density bales.
- Our horizontal paper baler machines are CE certified and designed with customer requirements in mind, making your business management a simple and convenient process.
- PRS Bale Press machines are designed with a fully automatic or semi-automatic option, from 60 tons to 200 tons of pressing force, and to meet many kinds of bale size and speed needs.
- The length and weight of the bales are measured, and the waste paper bales are tied automatically when the selected length is reached.
- Add pet blasting module, wire binding module, double feeding conveyor, hydraulic side and top tunnel arms to the machine according to your needs and preferences.
- Please contact us for machine selection in different forces according to the capacity of the product to be compressed.

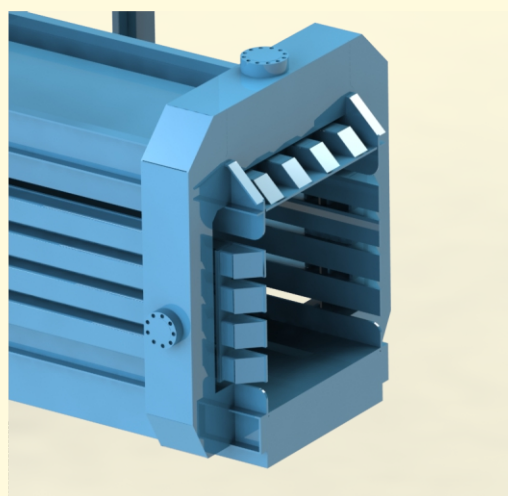
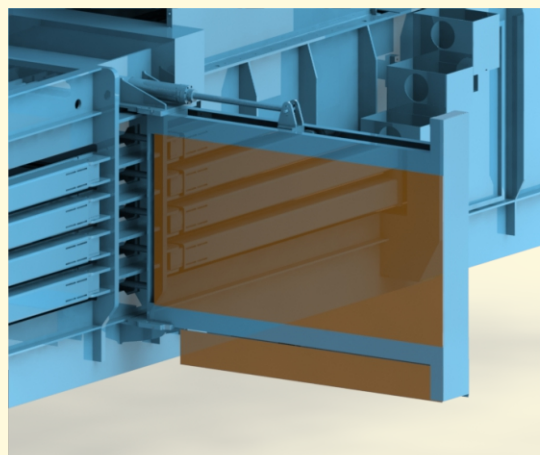
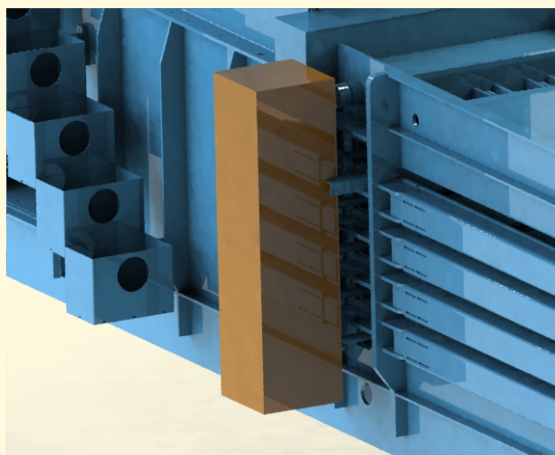


MODULES

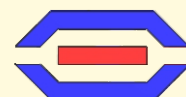


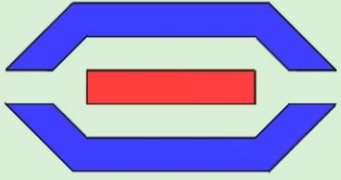
PET BLAST

WIRE BINDING MODULE



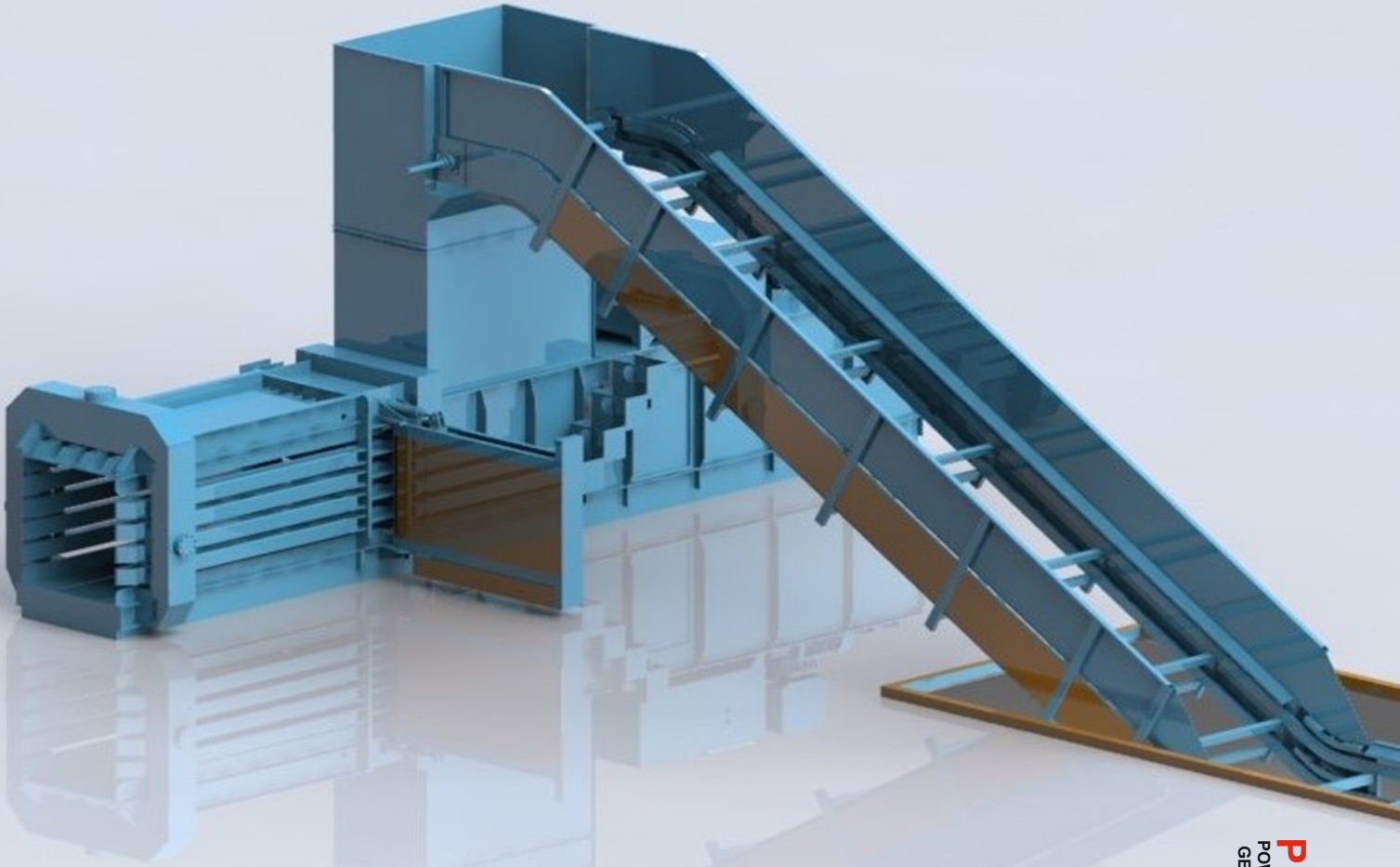
HYDRAULIC EFFECT ARM





PRs MAKİNA

www.prsmakina.com info@prsmakina.com
Tel: +90 232 264 03 05 Faks: +90 232 782 71 81
İstasyon Cad. No:69 Gölçükler Mah.
Menderes - İZMİR - TÜRKİYE



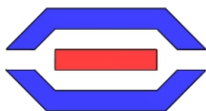
PRs-YBP HORIZONTAL BALING PRESS

PRs MAKİNA®
POWER RECYCLING SYSTEMS
GERİ DÖNÜŞÜM SİSTEMLERİ



Parameters of Full Automatic Horizontal Paper Baling Press Machine

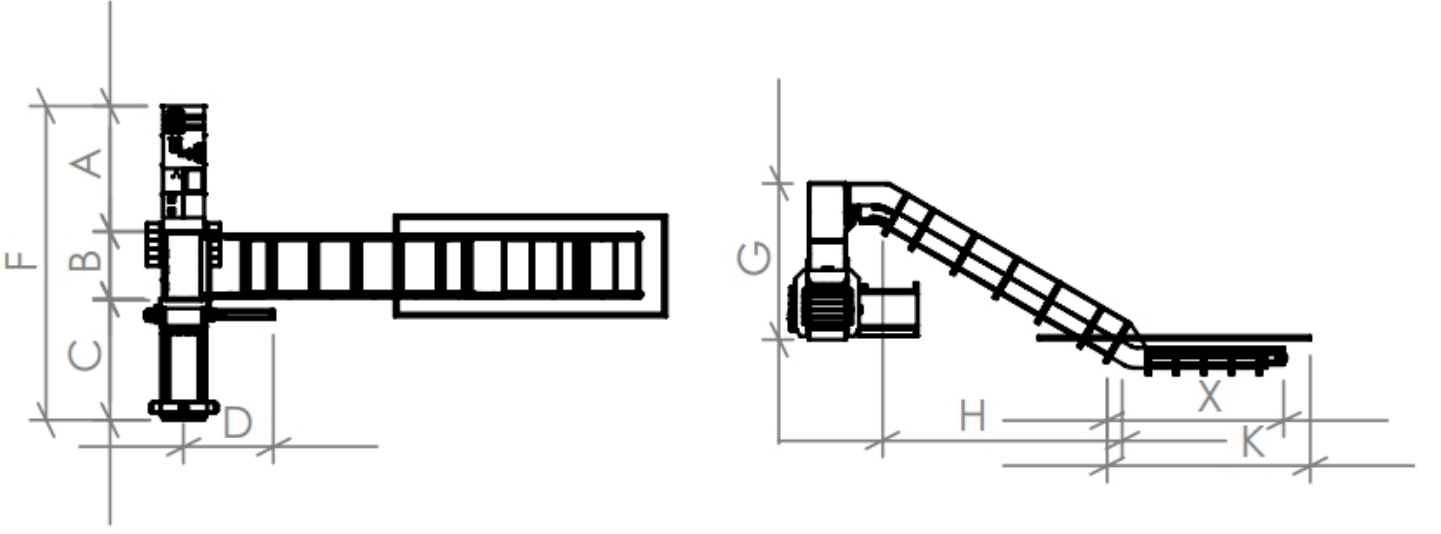
MODEL		PRSYBP50	PRSYBP 70	PRSYBP90	PRSYBP120	PRSYBP150	PRSYBP170	PRSYBP200
PRESS POWER	ton	50	70	90	120	150	170	200
ENGINE	kW	15	37	45	75	55 + 55	75+75	90 + 90
FEEDING HATCH	mm	1000 x 720	1400 x 1020	1600 x 1020	1800 x 1120	1800 x 1120	2000 x 1120	2000 x 1120
BALE SIZE	mm	750 x 750 -	1100 x 850 1100 x 750	1100 x 850 1100 x 750	1200 x 1130 1100 x 1130	1200 x 1130 1100 x 1130	1200 x 1130 1100 x 1130	1200 x 1130 1100 x 1130
CAPACITY	Carton 30 kg/m ³ Mixed 50 kg/m ³ News- paper 100 kg/m ³	1 2 3,5	7,5 10 15	9,5 14 21	12 18 28	16 24 34	18 26 36	19 28 42
BALE WEIGHT	kg	250 – 500	500 – 700	600 – 950	800 – 1250	950 – 1400	950 – 1700	950 – 2000
NUMBER OF WIRED		3	4	4	5	5	5	5
OIL TANK CAPACITY	lt	600	1000	2000	2500	3000	3000	3000
CONVEYOR WIDTH	mm	1000	1300	1450	1600	1800	1800	2000
CYCLE TIME	s	30	17	17	17	17	17	17
WEIGHT OF THE PRESS	ton	6	16	18.5	21	25	28	32



PRS MAKİNA®
"Power Recycling Systems"
Gerİ Dönüşüm Sistemleri

www.prsmakina.com info@prsmakina.com
 Tel:+90 (232) 264 03 05 Fax:+90 (232)782 71 81
 Gölcükler Mh. İstasyon Cad. No:69
 Menderes- İZMİR / TÜRKİYE

Parameters of Full Automatic Horizontal Paper Baling Press Machine



SIZE(mm)	PRSYBP50	PRSYBP70	PRSYBP90	PRSYBP120	PRSYBP150	PRSYBP170	PRSYBP200
A	2550	3600	3795	4300	4580	4580	4980
B	1000	1400	1600	2000	2000	2000	2000
C	3600	3600	4620	4620	4620	4620	4620
D	2155	2682	2817	2850	2880	2880	2840
E	978	1328	1335	1366	1420	1420	1390
F	7150	8600	10000	11000	11200	11200	11600
G	4700	4700	4700	5000	5000	5000	5000
H	6389	6565	6570	7785	7790	7790	7775
J	2000	2000	2000	2000	2000	2000	2000
K	9000	9000	9000	10500	11000	11000	11000
X	6000	6000	6000	6000	6000	6000	6000



PRS MAKİNA®
"Power Recycling Systems"
Gerİ Dönüşüm Sistemleri

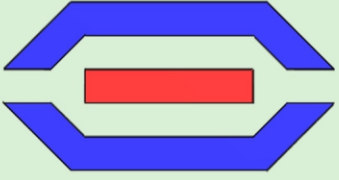
www.prsmakina.com info@prsmakina.com
 Tel:+90 (232) 264 03 05 Fax:+90 (232)782 71 81
 Gölcükler Mh. İstasyon Cad. No:69
 Menderes- İZMİR / TÜRKİYE

PRS-YBP-120



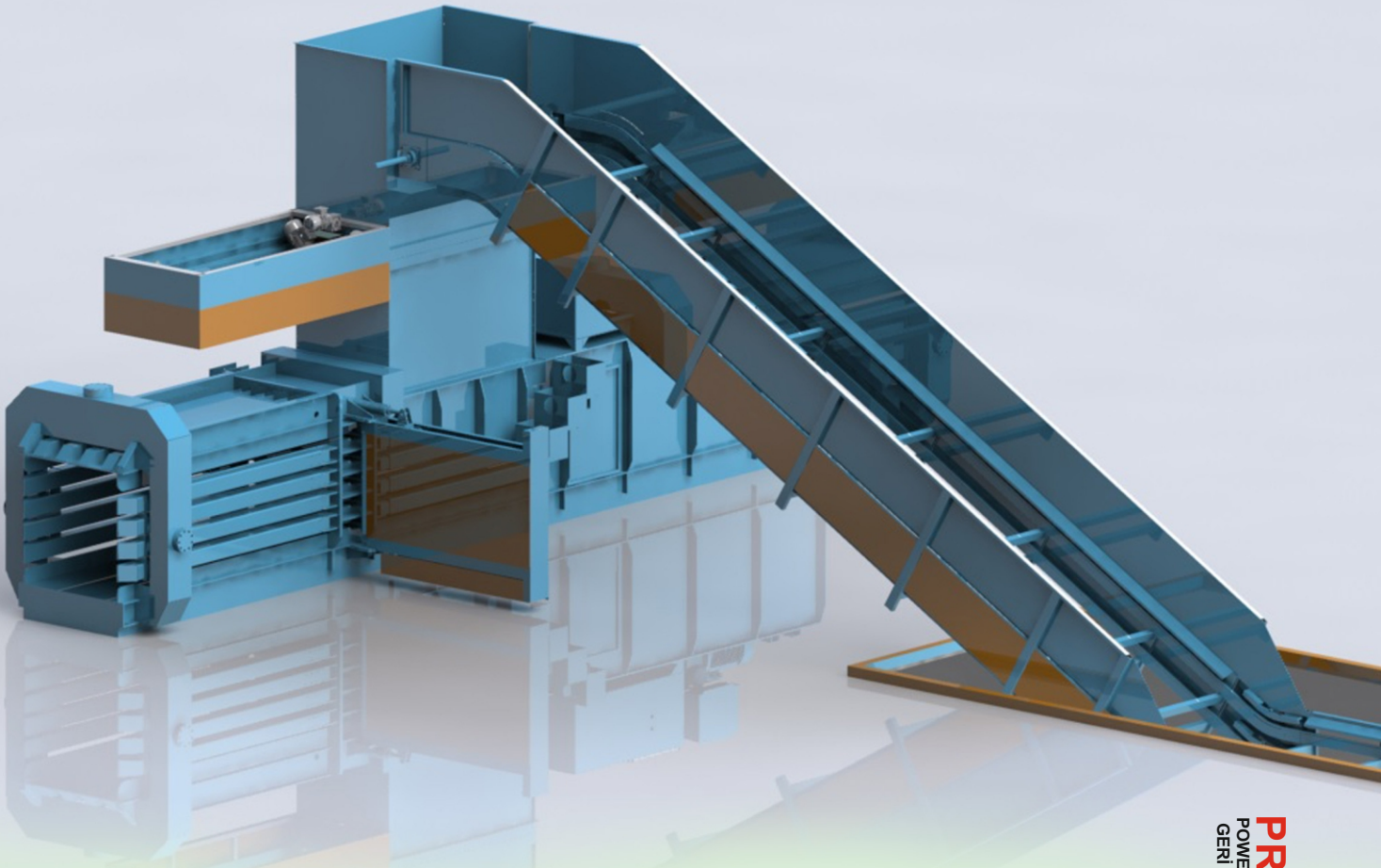
PRS-YBP-90





PRS MAKİNA

www.prsmakina.com info@prsmakina.com
Tel: +90 232 264 03 05 Faks: +90 232 782 71 81
İstasyon Cad. No:69 Gölcükler Mah.
Menderes - İZMİR - TÜRKİYE



PRS-YBP-P HORIZONTAL BALING PRESS

PRS MAKİNA®
POWER RECYCLING SYSTEMS
GERİ DÖNÜŞÜM SİSTEMLERİ



Parameters of Full Automatic Horizontal Paper Baling Press Machine

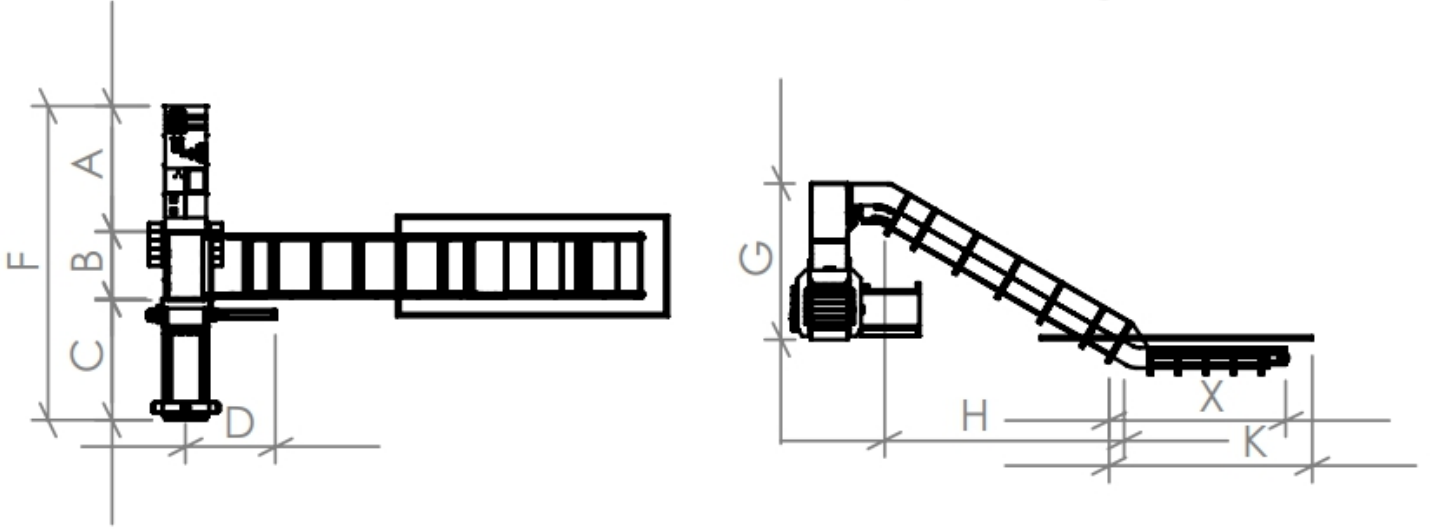
MODEL		PRSYBP50	PRSYBP 70	PRSYBP90	PRSYBP120	PRSYBP150	PRSYBP170	PRSYBP200
PRESS POWER	ton	50	70	90	120	150	170	200
ENGINE	kW	15	37	45	75	55 + 55	75+75	90 + 90
FEEDING HATCH	mm	1000 x 720	1400 x 1020	1600 x 1020	1800 x 1120	1800 x 1120	2000 x 1120	2000 x 1120
BALE SIZE	mm	750 x 750 -	1100 x 850 1100 x 750	1100 x 850 1100 x 750	1200 x 1130 1100 x 1130	1200 x 1130 1100 x 1130	1200 x 1130 1100 x 1130	1200 x 1130 1100 x 1130
CAPACITY	Carton 30 kg/m ³ Mixed 50 kg/m ³ News- paper 100 kg/m ³	1 2 3,5	7,5 10 15	9,5 14 21	12 18 28	16 24 34	18 26 36	19 28 42
BALE WEIGHT	kg	250 – 500	500 – 700	600 – 950	800 – 1250	950 – 1400	950 – 1700	950 – 2000
NUMBER OF WIRED		3	4	4	5	5	5	5
OIL TANK CAPACITY	lt	600	1000	2000	2500	3000	3000	3000
CONVEYOR WIDTH	mm	1000	1300	1450	1600	1800	1800	2000
CYCLE TIME	s	30	17	17	17	17	17	17
WEIGHT OF THE PRESS	ton	6	16	18.5	21	25	28	32



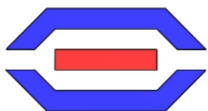
PRS MAKİNA®
"Power Recycling Systems"
Gerİ Dönüşüm Sistemleri

www.prsmakina.com info@prsmakina.com
 Tel:+90 (232) 264 03 05 Fax:+90 (232)782 71 81
 Gölcükler Mh. İstasyon Cad. No:69
 Menderes- İZMİR / TÜRKİYE

Parameters of Full Automatic Horizontal Paper Baling Press Machine



SIZE(mm)	PRSYBP50	PRSYBP70	PRSYBP90	PRSYBP120	PRSYBP150	PRSYBP170	PRSYBP200
A	2550	3600	3795	4300	4580	4580	4980
B	1000	1400	1600	2000	2000	2000	2000
C	3600	3600	4620	4620	4620	4620	4620
D	2155	2682	2817	2850	2880	2880	2840
E	978	1328	1335	1366	1420	1420	1390
F	7150	8600	10000	11000	11200	11200	11600
G	4700	4700	4700	5000	5000	5000	5000
H	6389	6565	6570	7785	7790	7790	7775
J	2000	2000	2000	2000	2000	2000	2000
K	9000	9000	9000	10500	11000	11000	11000
X	6000	6000	6000	6000	6000	6000	6000



PRS MAKİNA®
"Power Recycling Systems"
Gerİ Dönüşüm Sistemleri

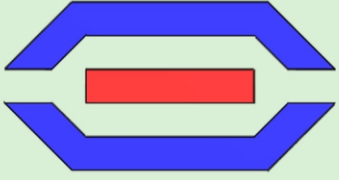
www.prsmakina.com info@prsmakina.com
 Tel:+90 (232) 264 03 05 Fax:+90 (232)782 71 81
 Gölcükler Mh. İstasyon Cad. No:69
 Menderes- İZMİR / TÜRKİYE

PRS- YBP-120P



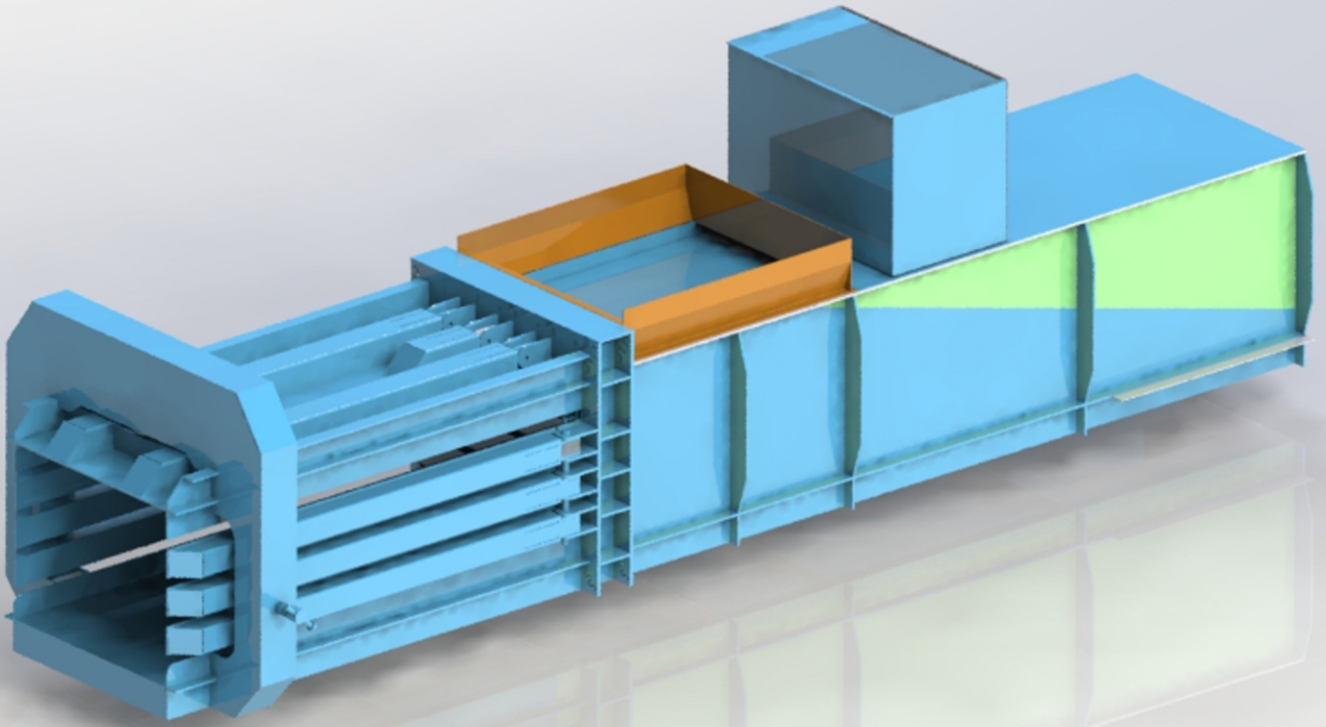
PRS-YBP-90P





PRS MAKINA

www.prsmakina .com info@prsmakina .com
Tel: +90 232 264 03 05 Faks: +90 232 782 71 81
İstasyon Cad. No:69 Gölcükler Mah.
Menderes - İZMİR - TÜRKİYE



PRS-YBP-E MANUAL BALING PRESS

PRS MAKINA®
POWER RECYCLING SYSTEMS
GERİ DÖNÜŞÜM SİSTEMLERİ



Parameters of Manual Horizontal Paper Baling Press Machine

MODEL		PRSYBPE50	PRSYBPE70	PRSYBPE90	PRSYBPE120	PRSYBPE150	PRSYBPE170	PRSYBPE200
PRESS POWER	ton	50	70	90	120	150	170	200
ENGINE	kW	15	37	45	75	55 + 55	75+75	90 + 90
FEEDING HATCH	mm	1000 x 720	1400 x 1020	1600 x 1020	1800 x 1120	1800 x 1120	2000 x 1120	2000 x 1120
BALE SIZE	mm	750 x 750 –	1100 x 850 1100 x 750	1100 x 850 1100 x 750	1200 x 1130 1100 x 1130	1200 x 1130 1100 x 1130	1200 x 1130 1100 x 1130	1200 x 1130 1100 x 1130
CAPACITY	Carton 30 kg/m ³ Mixed 50 kg/m ³ News- paper 100 kg/m ³	1 2 3,5	7,5 10 15	9,5 14 21	12 18 28	16 24 34	18 26 36	19 28 42
BALE WEIGHT	kg	250 – 500	500 – 700	600 – 950	800 – 1250	950 – 1400	950 – 1700	950 – 2000
NUMBER OF WIRED		3	4	4	5	5	5	5
OIL TANK CAPACITY	lt	600	1000	2000	2500	3000	3000	3000
CONVEYOR WIDTH	mm	1000	1300	1450	1600	1800	1800	2000
CYCLE TIME	s	30	17	17	17	17	17	17
WEIGHT OF THE PRESS	ton	6	16	18.5	21	25	28	32

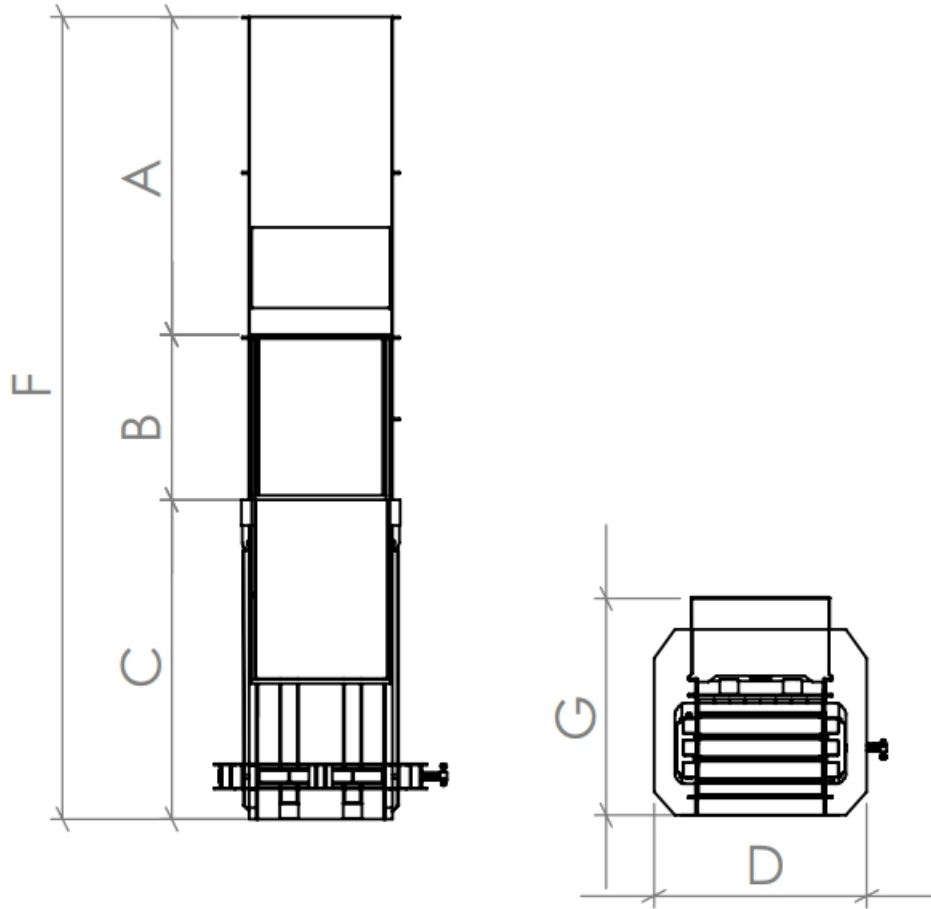
- In manual machines, you can manually feed material or use a rubber conveyor belt.
- Wire binding group can be added or removed optionally for manual machines.



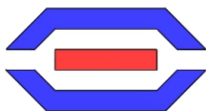
PRS MAKİNA®
"Power Recycling Systems"
Geri Dönüşüm Sistemleri

www.prsmakina.com info@prsmakina.com
Tel:+90 (232) 264 03 05 Fax:+90 (232)782 71 81
Gölcükler Mh. İstasyon Cad. No:69
Menderes- İZMİR / TÜRKİYE

Parameters of Manual Horizontal Paper Baling Press Machine



SIZE(mm)	PRSYBPE50	PRSYBPE70	PRSYBPE90	PRSYBPE120	PRSYBPE150	PRSYBPE170	PRSYBPE200
A	2550	3600	3795	4300	4580	4580	4980
B	1000	1400	1600	2000	2000	2000	2000
C	3600	3600	4620	4620	4620	4620	4620
F	7150	8600	10000	11000	11200	11200	11600
G	1676	1776	1876	1900	1900	1900	2000
D	1834	1834	1844	1854	1854	1864	1864



PRS MAKİNA®
"Power Recycling Systems"
Gerİ Dönüşüm Sistemleri

www.prsmakina.com info@prsmakina.com
 Tel:+90 (232) 264 03 05 Fax:+90 (232)782 71 81
 Gölcükler Mh. İstasyon Cad. No:69
 Menderes- İZMİR / TÜRKİYE

PRS-YBP-E90

